

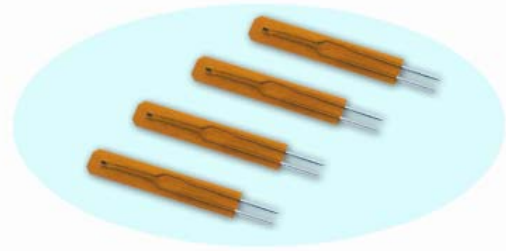
负温度系数(NTC)热敏电阻器

Negative temperature coefficient (NTC) thermistor

MF55薄膜测温型NTC热敏电阻系列

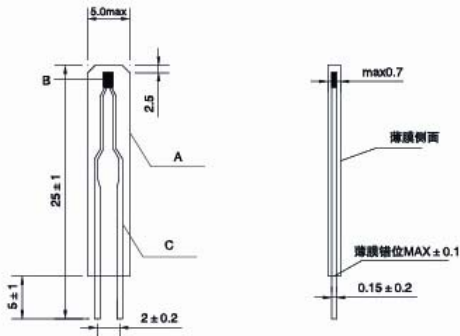
MF55 Film Temp measurement NTC Thermistor series

- 应用范围 Applications
- 电脑 ○ Computer
- 打印机 ○ Printer
- 家用电器 ○ House hold Appliance



- 特点 Characteristics
- 灵敏度高、热感应快 ○ Fast response and high sensation
- 稳定性好、可靠性高 ○ High stability and reliability
- 绝缘性好 ○ Superior electrical insulation
- 阻值精度高 ○ High precision of resistance
- 使用安全 ○ Safty secure
- 体积小、重量轻、结构坚固便于自动化安装 ○ So small, light and solid in structure as to be convenient for auto mounting

● 外形结构和尺寸 Dimensions(mm)



代码	规格和材料	Specification and Material
A	聚酰亚胺膜	Polyimede film
B	芯片	Chip
C	磷铜架	Phosphorcopper frame

● 主要技术参数

- 额定零功率电阻值 (R_{25}): 5K Ω ~ 500K Ω
- R_{25} 允许偏差: $\pm 1\%$ 、 $\pm 2\%$ 、 $\pm 3\%$ 、 $\pm 5\%$
- B值范围 ($B_{25/50}$): 3270 ~ 4750K;
- B值允许偏差 (根据需要标注): $\pm 1\%$ 、 $\pm 2\%$
- 耗散系数: $\geq 0.8\text{mW}/^\circ\text{C}$ (在静止空气中)
- 热时间常数: $\leq 5\text{S}$ (在静止空气中)
- 工作温度范围: -40°C ~ $+125^\circ\text{C}$
- 额定功率: $\leq 50\text{mW}$

Main Techno-Parameter

- Rated zero power resistance (R_{25}): 5K Ω ~ 500K Ω
- Allowance tolerance of R_{25} : $\pm 1\%$ 、 $\pm 2\%$ 、 $\pm 3\%$ 、 $\pm 5\%$
- Range of B value($B_{25/50}^\circ\text{C}$): 3270 ~ 4750K;
- Allowance tolerance of (Label by Requirement) B-value : $\pm 1\%$ 、 $\pm 2\%$
- Dissipation coefficient: $\geq 0.8\text{mW}/^\circ\text{C}$ (In Still Air)
- Thermal time constant: $\leq 5\text{S}$ (In Still Air)
- Operating temperature : -40 ~ $+125^\circ\text{C}$
- Rated Power: $\leq 50\text{mW}$

● 产品标志说明 Specification

- ① MF55薄膜测温型NTC热敏电阻器
- ② 阻值: 103.....10K Ω
- ③ F: $\pm 1\%$ G: $\pm 2\%$ H: $\pm 3\%$ J: $\pm 5\%$
- ④ B值: 3380K; 3950K
- ⑤ B值允许偏差代号 (根据需要标注) F: $\pm 1\%$ G: $\pm 2\%$

MF55	-	103	F	3380	F
①		②	③	④	⑤

- ① MF55 film temperature measurement NTC thermistor
- ② Resistance: 103.....10K Ω
- ③ F: $\pm 1\%$ G: $\pm 2\%$ H: $\pm 3\%$ J: $\pm 5\%$
- ④ B-value: 3380K; 3950K
- ⑤ The allowable tolerance of (Label by Requirement) F: $\pm 1\%$ 、G: $\pm 2\%$